

TRIANGLE LED DECK LIGHT

User Manual



01 / WARNING

PLEASE READ AND UNDERSTAND THE ENTIRE MANUAL BEFORE OPERATING OR INSTALLING THIS PRODUCT.

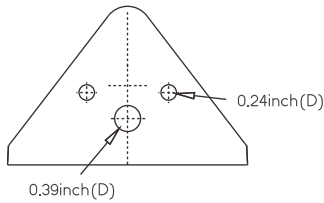
- ONLY use this fixture on 12-24V AC/DC circuits.
- The maximum load (combined total wattage of all fixtures) should NOT exceed 80% of the total power rating of the transformer.
- The wire is intended for shallow burial (less than 6 inches deep).
- Install ALL fixtures at least 10ft away from pools, spas, or fountains.
- Keep the fixtures away from flammable or combustible materials.
- DO NOT touch the lens, guard, or fixture housing while in use.
- DO NOT operate or install a fixture with missing or damaged parts.
- DO NOT submerge this fixture in water as this may damage it.
- Vertically mount the transformer at least 12 inches above the ground.
- Keep this fixture out of the reach of children under 3 years old.
- DO NOT connect this fixture to electrical systems that DO NOT have grounding.

02 / PACKAGE CONTENT

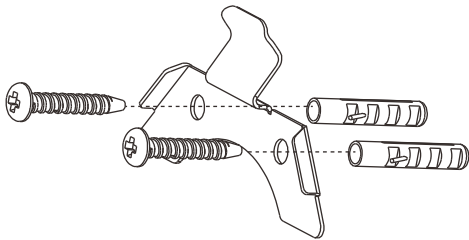
- 5W waterproof landscape lights × 1
- Screws × 2
- Templates × 1
- Mounting brackets × 1
- Waterproof wire nuts × 2
- Plastic anchors × 2

03 / INSTALLATION

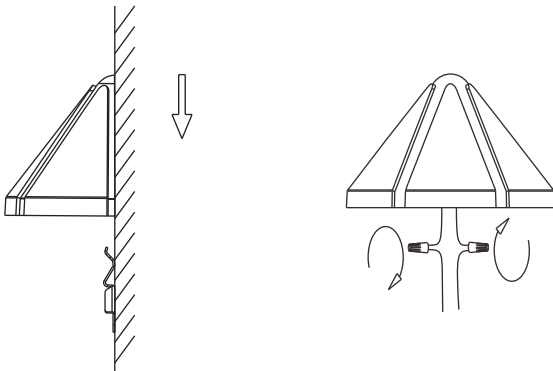
1. Make sure the power supply voltage is 12-24V AC/DC, then turn off the power
2. Choose a proper installation location then stick on the template. Drill holes following the template.



3. Insert the plastic anchors into the holes. Using screws, tighten the mounting bracket.



4. Slide the fixture down the wall, make sure the fixture is firmly fixed to the mounting bracket.
5. Connect the wires by twisting the waterproof wire nuts clockwise. The installation is now complete



04 / SPECIFICATIONS

| | |
|---------------|-------------------------|
| PRODUCT NAME | TRIANGLE LED DECK LIGHT |
| MODEL NO | CL-DL025-524-3K-BL-5 |
| INPUT VOLTAGE | 12-24V AC/DC |
| POWER | 5W |
| LUMEN | 300 LM |
| COLOR TEMP | 3000K |
| CRI | >90 |
| IP | 65 |
| BEAM ANGLE | 120° |
| BODY COLOR | BLACK |
| BODY MATERIAL | ALUMINUM |
| LENS MATERIAL | PC |
| WORKING TEMP | -40 °C~40 °C |
| LIFE TIME | >50,000 hrs |
| WARRANTY | 5 YEARS |

05 / CARE AND MAINTENANCE

- Before attempting to clean the fixture, disconnect the power by turning off the breaker or by removing the fuse from the box.
- DO NOT USE ANY CLEANERS WITH CHEMICALS, SOLVENTS OR HARSH ABRASIVES.

06 / TROUBLESHOOTING

If all lights are not working properly:

- Check if the power is turned on.
- Check to make sure the input voltage is 12-24V.
- Check to make sure that the transformer is properly connected.

If some lights are not working properly:

- Check the wiring, make sure that all connections between the lights and the main power cord are tightened properly.
- Check the connectors, if any, make sure that connectors work correctly. If the lights still do not work after several adjustments, please contact our customer service as soon as possible.

www.canolight.ca