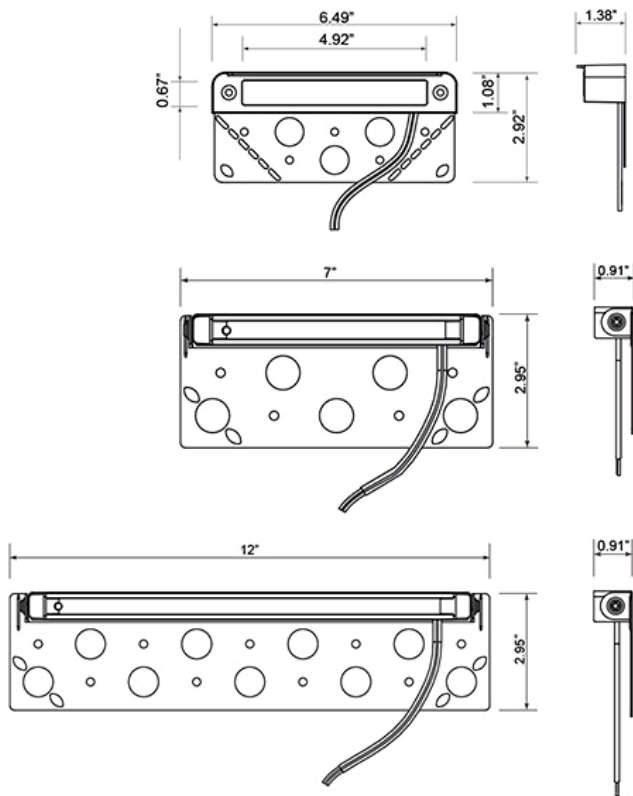


## LED HARDSCAPE LIGHT



7 INCH SMART LED HARDSCAPE LIGHT  
CL-HS055-524-RGBCW-ORB



7 INCH LED HARDSCAPE LIGHT  
CL-HS045-524-3CCT-ORB



12 INCH LED HARDSCAPE LIGHT  
CL-HS047-724-3CCT-ORB



Product Code	Input Voltage	Power	Lumen	Color Temp	Beam Angel	IP
CL-HS047-724-3CCT-ORB	12-24V AC/DC	7w	280lm	3CCT Adjustable 3000K-4000K-5000K	120°	65
CL-HS045-524-3CCT-ORB	12-24V AC/DC	5w	200lm	3CCT Adjustable 3000K-4000K-5000K	120°	65
CL-HS055-524-RGBCW-ORB	12-24V AC/DC	5w	250lm	RGBCW, Applicable with Tuya app	120°	65

- Die-cast aluminum housing
- Epoxy power paint finishing
- Stainless steel bracket
- CRI >90
- Working temperature -40°C to +40°C
- Life time >50,000 hrs
- 5 years warranty