

Constant Voltage Commercial LED Drivers

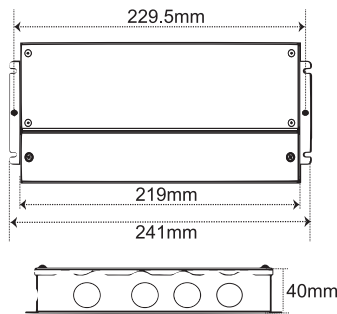
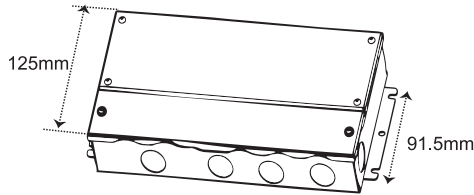


OTM-PDJ96-J24
96W

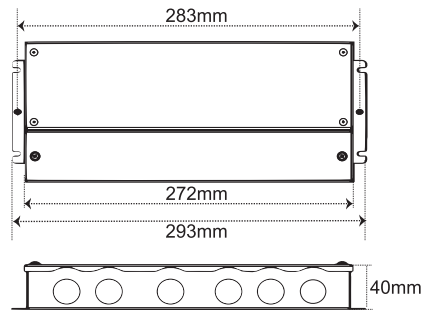
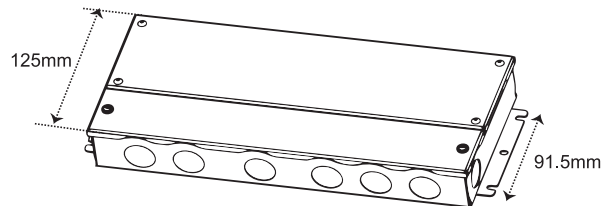


OTM-PDJ200-J24
200W

Product Code	Input Voltage	Power	OUT Voltage	DIM
OTM-PDJ96-J24	200-347VAC	96W	24 VDC	0-10V Dim
OTM-PDJ200-J24	200-347VAC	200W	24 VDC	0-10V Dim



96W



200W



- cUL approved
- Do not load more than 80% of driver capacity