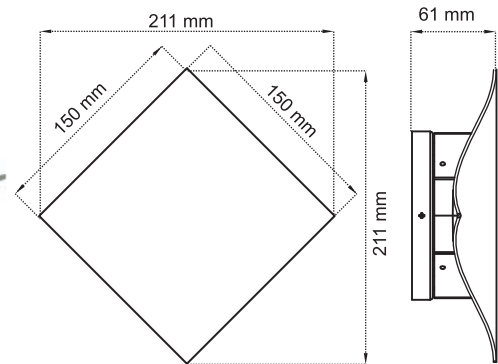


Surface-Mount LED Wall Light



Product Code	Input Voltage	Power	Lumen	Color Temp	Beam angle
CL-WL-18208-11W-3K-WH	110-240VAC ,50/60Hz	11W	740lm	3000K	120°
CL-WL-18208-11W-3K-BL					



- Pretreated powder coating for outdoor use
- OSRAM LED chip
- cETL approved