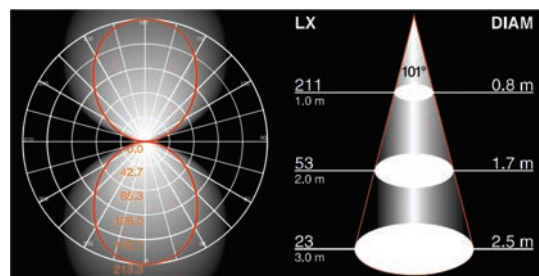
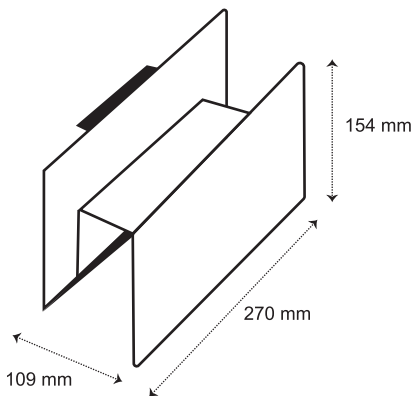


Surface-Mount LED Wall Light



Product Code	Input Voltage	Power	Lumen	Color Temp	Beam angle
CL-WL-1521-15W-3K	110-220VAC, 50Hz	15 W	1200lm	3000K	100°



- Pretreated powder coating for outdoor use
- PHILIPS LED chip
- Silicone rubber gasket
- cETL approved
- Designed by Franco Pagliarini