

## Ultra Slim Constant Voltage Dimmable LED Driver

ELV/MLV/TRIAC ELECTRONIC DIM

## INSTRUCTION

Before you begin, read all warnings and installation instructions thoroughly.



CL-UDR-CV-60W-24V-DIM



CL-UDR-CV-96W-24V-DIM

### Quick Specs

<b>Input Voltage</b>	120VAC
<b>Output Voltage</b>	24VDC / 12VDC
<b>Dimming Type</b>	ELV / MLV / TRIAC
<b>Input Frequency Range</b>	60Hz
<b>Ambient Temp</b>	-20°C~+45°C
<b>Environment</b>	Damp and dry locations

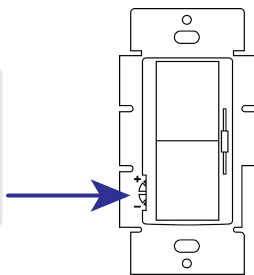
### Warning

- To avoid fire, shock, or death, turn the power off at the circuit breaks before wiring.

### Mounting the Driver

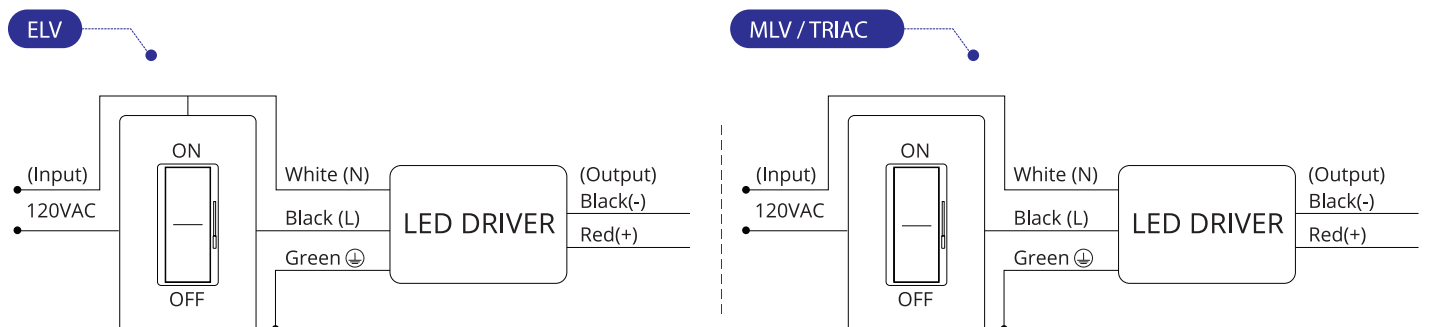
- Select a suitable location that can provide adequate support for the weight of the driver.
- It is recommended to install the driver vertically for aximum heat dissipation. Install the driver in a well-ventilated area free from explosive gases and vapors. If you are installing more than one driver, keep at least a 6" distance between each driver.

- Some dimmers may cause low-end flickering. To prevent this, adjust the dimmer's low-end trim setting.



### Wire Connections

With the power switched off, connect the wires according to the wiring diagram below.



**Ultra Slim Constant Voltage LED Driver**

**RECOMMENDED  
DIMMERS**

Compatible dimmers are indicated by "✓".  
Other dimmers may be compatible. Compatibility List may change without prior notice.

Dimmer	96W & 60W Series (ELV&MLV&TRIAC)
LUTRON: DVLV-600P	✓
LUTRON: DVCL-153P	✓
LUTRON: PD-5NE	✓
LUTRON: MAELV-600	✓
LUTRON: DVELV-300P	✓
LUTRON: PD-6WCL	✓
LEVITON: DSL06-P32L	✓
LUTRON: RHCL453P	✓
LUTRON: RCL-153PNL	✓
LUTRON: CTCL-153P	✓
LUTRON: MACL-153M	✓
LEVITON: No. 06672	✓
LUTRON: CTCL-153PD	
LUTRON: STCL-153P	✓
LEVITON: No.06674	✓
LUTRON: CTCL-150	✓
LEGRAND: PH703PTU	✓