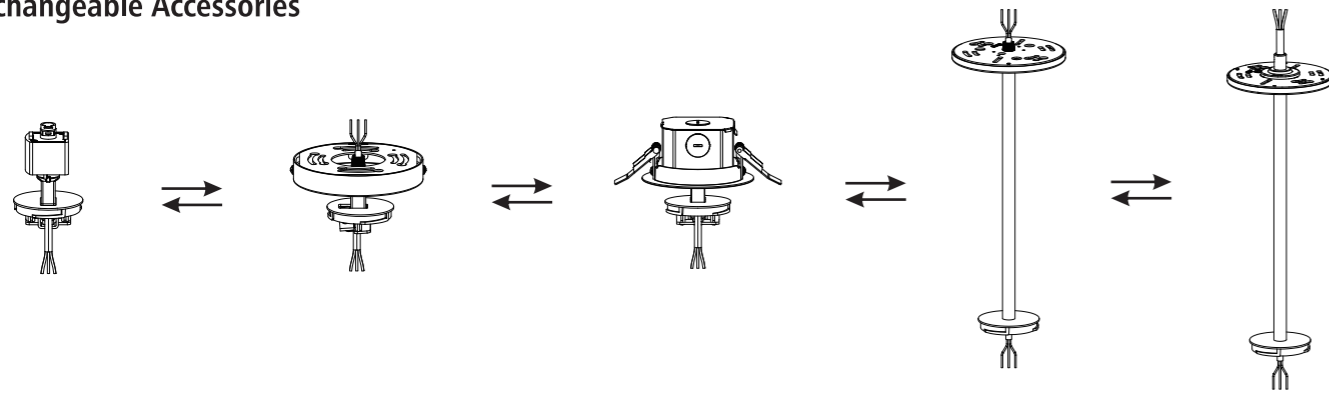


## SAFETY INSTRUCTIONS

**IMPORTANT:** Read all instructions before installing fixtures. Retain for future reference.

1. For your safety, this fixture must be wired in accordance to local electrical codes and ordinances. All work should be done by a qualified electrician.
2. Make certain power is OFF from the electrical panel before starting installation or attempting any maintenance.
3. No user serviceable parts inside. To avoid electrical shock do not disassemble product.
4. Do not make or alter any open holes in an enclosure of wiring or electrical components during kit installation.
5. To prevent wiring damage or abrasion, do not expose wiring to edges of sheet metal or other sharp objects.
6. Suitable for Damp locations.

## Exchangeable Accessories



## Track Mount

FIG. 1

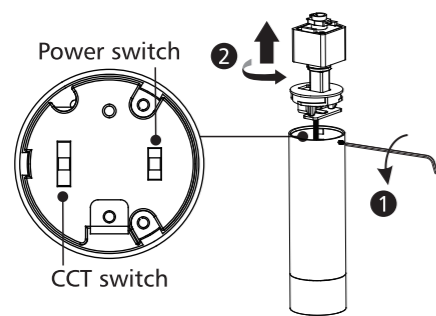


FIG. 2

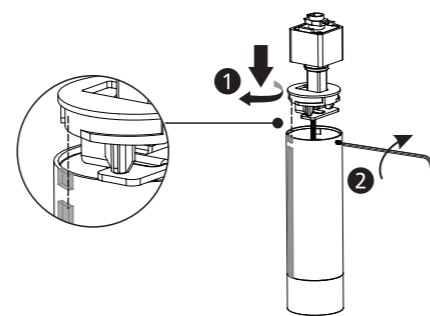


FIG. 3

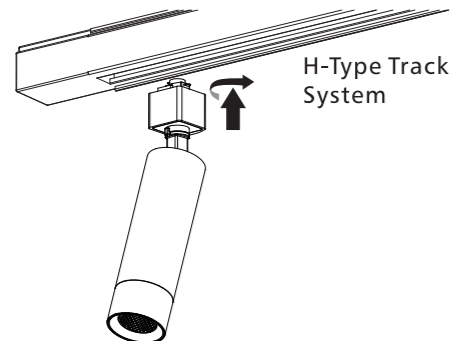
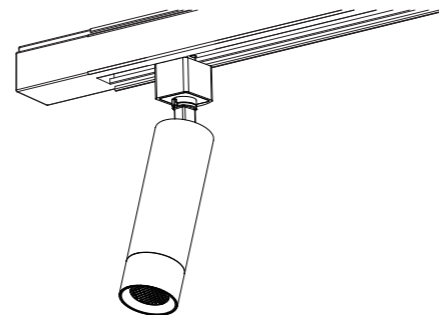


FIG. 4



## Surface Mounted Installation

FIG. 1

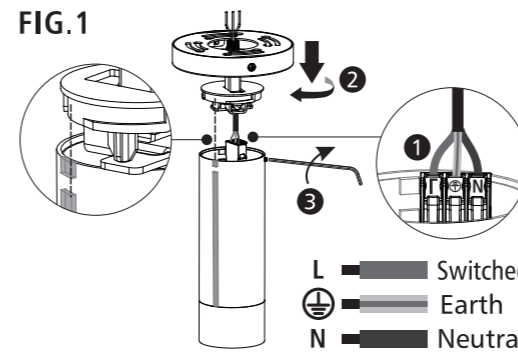


FIG. 2

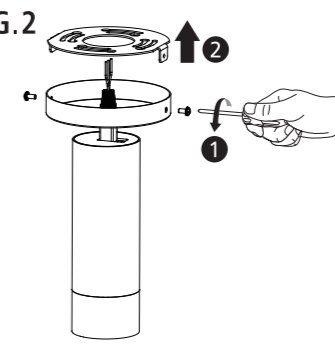


FIG. 3

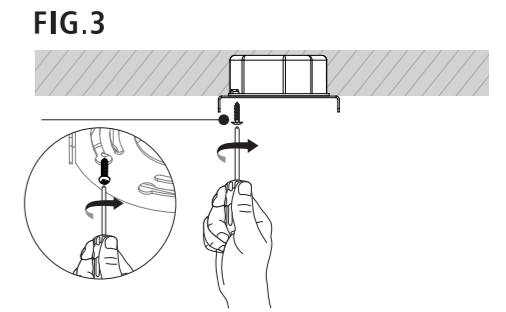


FIG. 4

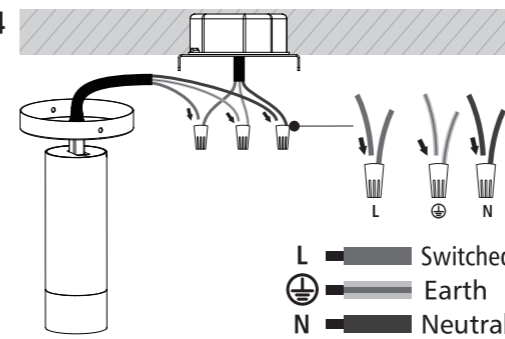


FIG. 5

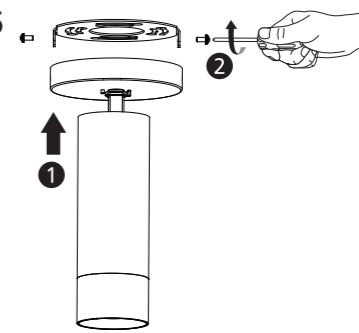
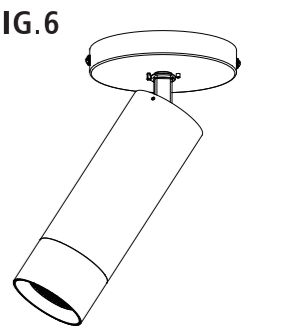
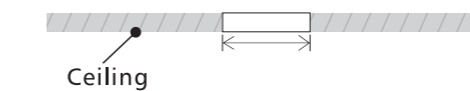


FIG. 6



## Recessed Installation

FIG. 1



Hole Cut Size	
CL-TRLH3-10W-5CCT-PDA	Φ3 3/4" (Φ95mm)
CL-TRLH3-20W-5CCT-PDA	
CL-TRLH3-30W-5CCT-PDA	

FIG. 2

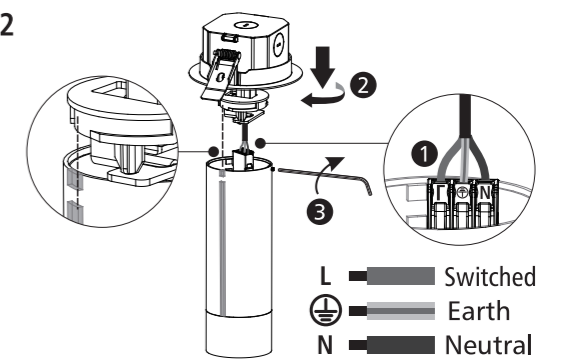


FIG. 3

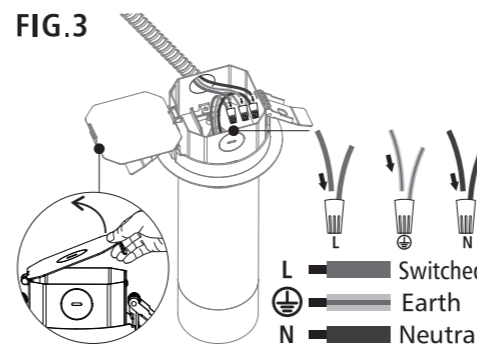


FIG. 4

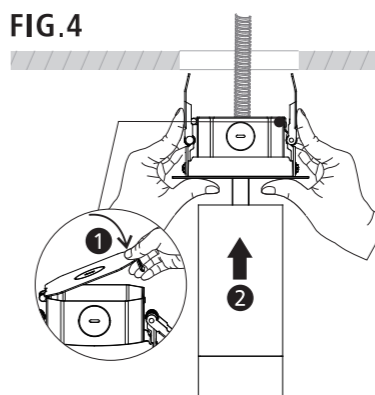
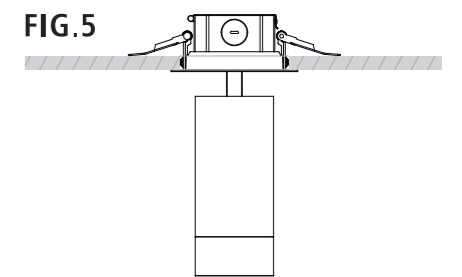


FIG. 5



**Pendant Installation**

FIG.1

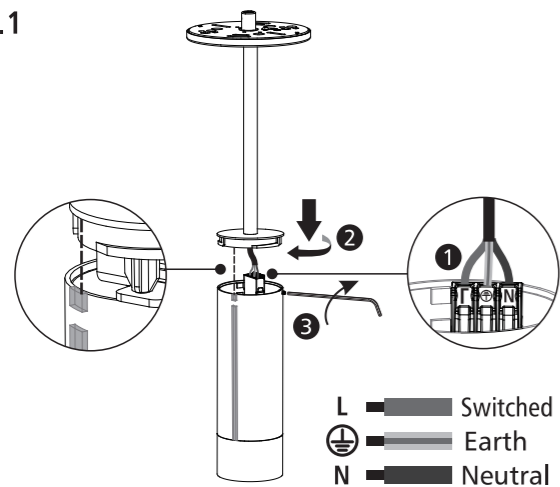


FIG.2

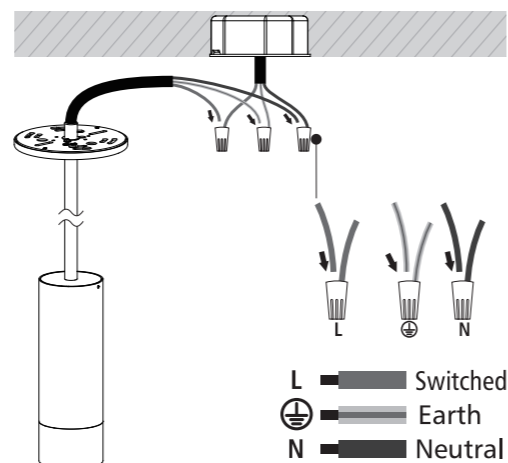


FIG.7

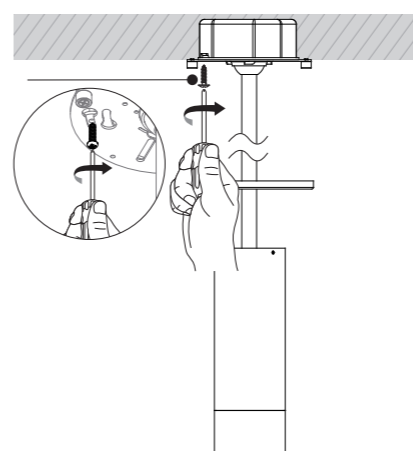


FIG.8

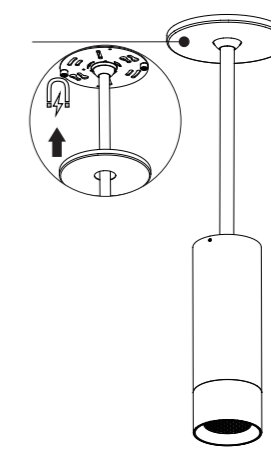


FIG.3

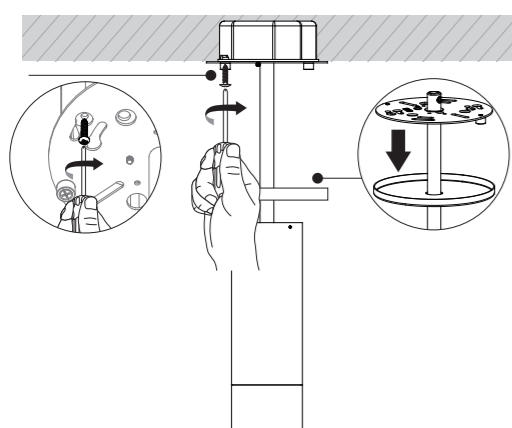
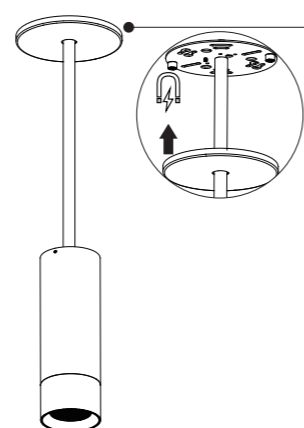
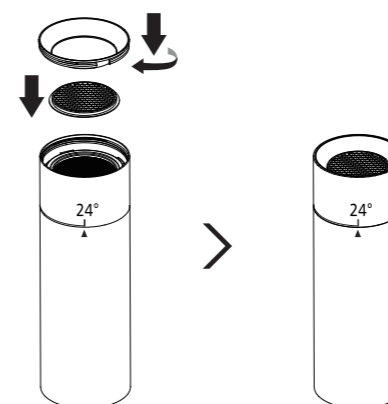


FIG.4



**Honeycomb Assemble**



**Stem Pendant**

FIG.1

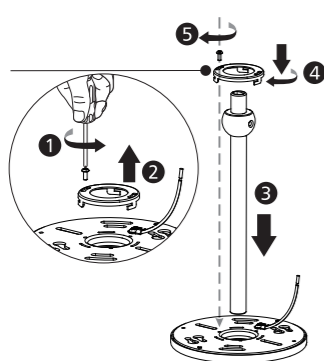


FIG.2

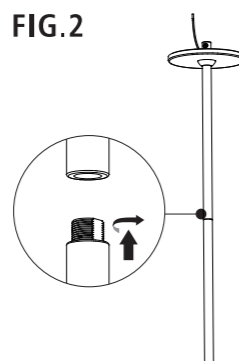


FIG.3



FIG.4

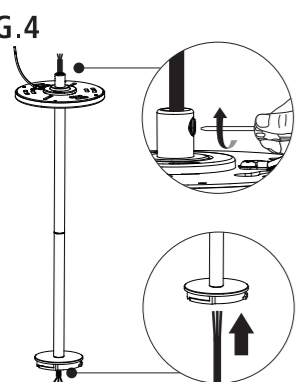


FIG.5

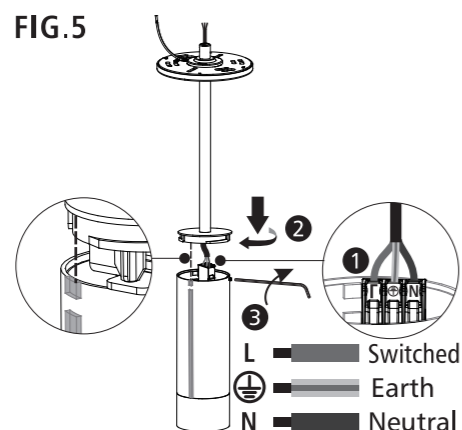


FIG.6

