

# INSTALLATION INSTRUCTIONS

**PLEASE READ CAREFULLY BEFORE INSTALLING FIXTURE**  
Save these instructions, as you may need them at a later date.

**cano light**  
Canadian Brightness

## LED TRACK LIGHT

Compatible with HALO 3 wires single circuit track system

10% DIMMABLE 100%



**GENERAL:** All electrical connections must be in accordance with local and National Electrical Code (N.E.C.) standards. If you are unfamiliar with proper electrical wiring connections, contact and obtain the services of a qualified electrician. Use UL or IEC approved wire only for input/output connections.

Remove fixture and mounting components from the box, and make sure that no parts are missing, by referencing the illustration in the illustration instructions.

**DIMMING:** This product is compatible with most common residential type dimmers. Dimming performance will depend upon dimmer, dimmer settings (dimmers with adjustments to brightness range), wiring method, and number of LED modules. For best results, set dimmer position at maximum before adjusting to a lower light level.

Turn power off before installation, inspection, or removal. Use all necessary precautions while performing this procedure.

Consult a qualified electrician to ensure correct branch circuit conductor. Min 90°C supply conductors.

Properly ground electrical enclosure. IT IS IMPERATIVE THAT THE OUTLET BOX BE PROPERLY GROUNDED.

DO NOT REVERSE THE HOT AND NEUTRAL CONNECTIONS, OTHERWISE SAFETY WILL BE COMPROMISED.

This Integrated LED Fixture has no lamp/bulb to replace.



### TROUBLESHOOTING

- Check that line voltage at fixture is correct.
- Ensure that there is voltage at lamp fixture wires. If there is no voltage, then check all connections.
- Check that fixture is grounded properly.

*If fixture does not light:*

- Check switch to ensure that there are no defects.
- Check fuse/circuit breaker for trips, then check wiring connections.



### CLEANING AND MAINTENANCE:

CAUTION: Ensure fixture temperature is cool enough to touch.

DO NOT clean or perform maintenance while fixture is energized.

- Clean lens and fixture with non-abrasive cleaning solution.
- Do not open fixture to clean LED. Do not touch the LED.
- Do not spray liquid directly on to LED, LED driver or wiring.

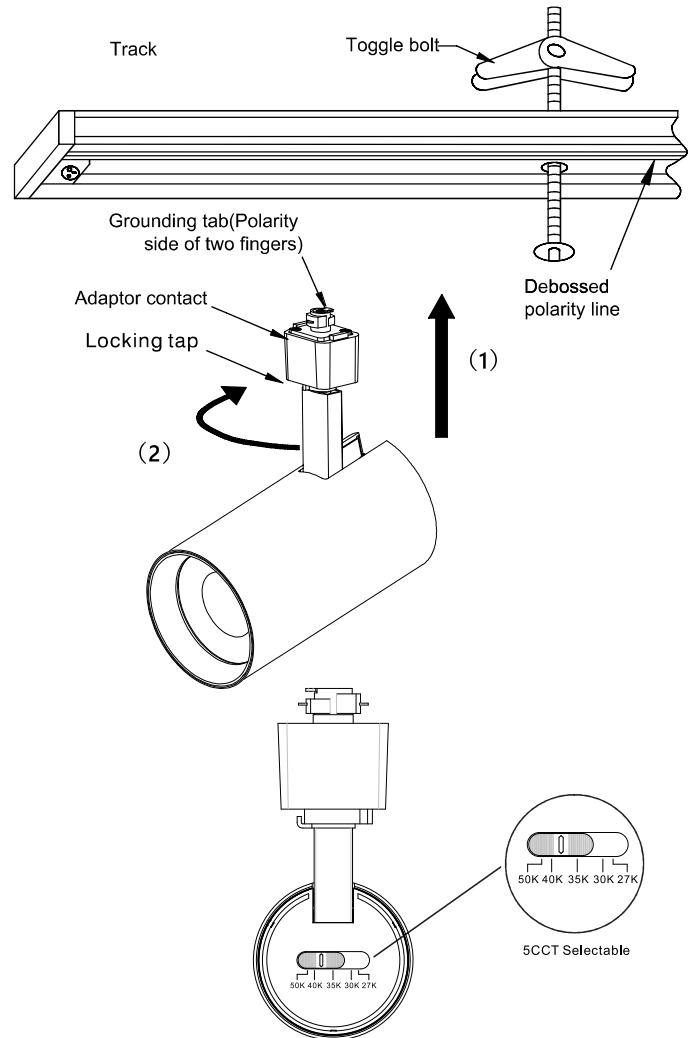


## 5 Years Limited Warranty

WARRANTY:

This product is warranted to be free of defect in material and workmanship, for a period of five years based upon 3 hours usage per day. This warranty starts from the date of purchase by the end user.

Figure 1



↓ Please follow these steps for installation. ↓

### INSTALLATION INSTRUCTION-TRACK

1. Place track over outlet box and mark position of track mounting holes on ceiling or wall. On wallboard or plaster, drill "5/8" mounting holes.
2. Plain underside of track faces ceiling or wall and slotted side of track faces out to accept lights.
3. Install track to ceiling or wall using toggle bolts (furnished). On wood surfaces use standard #10 wood screws (not furnished).

### INSTALLATION INSTRUCTIONS-LAMPHOLDER

CAUTION-Turn off switch at main power source before installing any track or fitting.

1. Pull down the locking tap and insert "Adaptor contact" into the slot in the track.
2. Rotate adaptor 1/4 turn 90° to locked position. Note: The lamp holder of Grounding tab, polarity side with two pins must point to the track debossed polarity line.
3. Rotate the track fixture of front ring to adjust the beam angle as you need. the beam angle rate is from 15° to 55°.
4. CCT (30K-40K-50K) selectable on the back side of the track head, you can switch the color temperature as you like, then adjust the angle for you need.
5. If need to remove to other position, depress the locking tap and turn 90°, remove to the position then install.