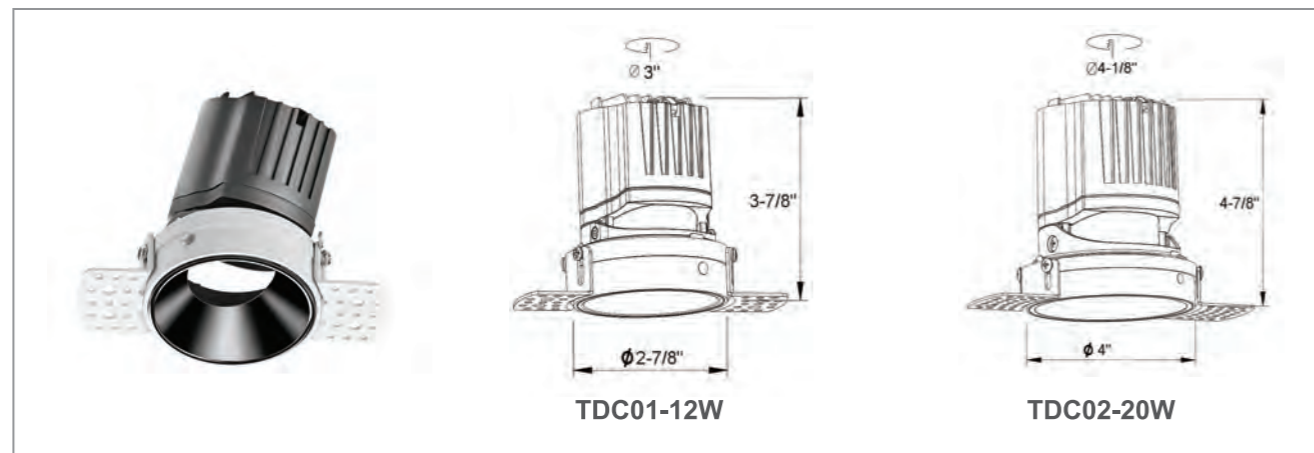
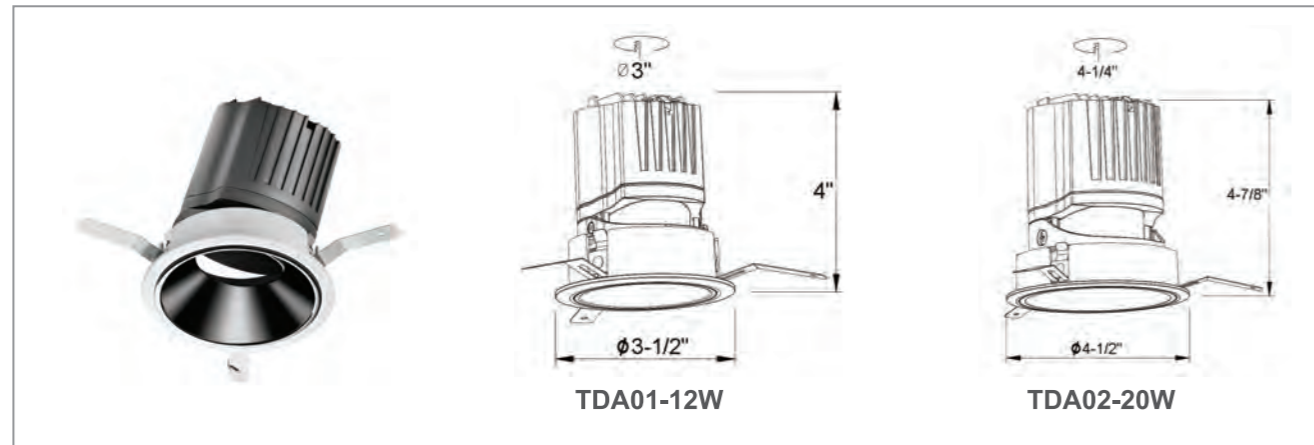
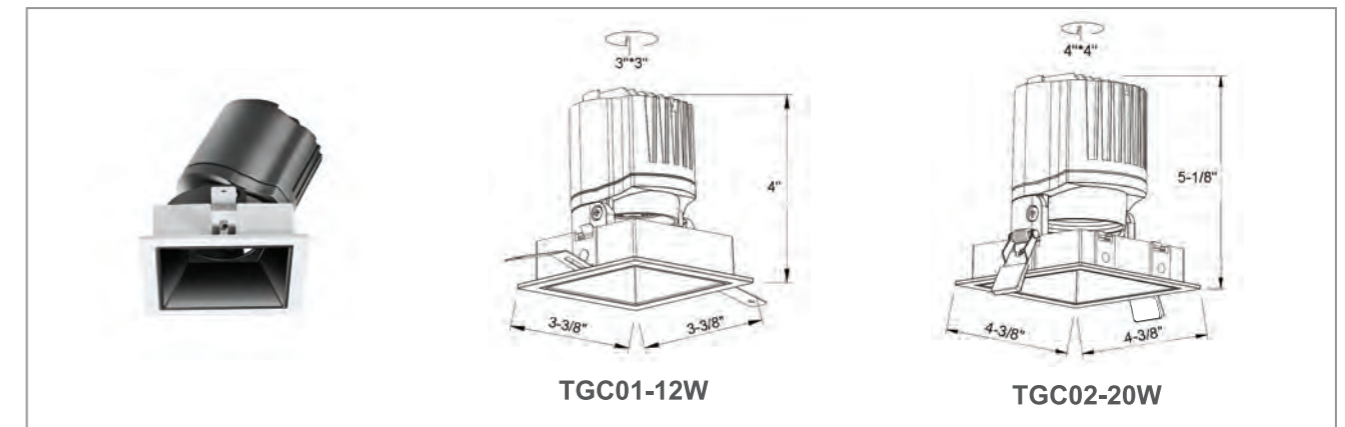
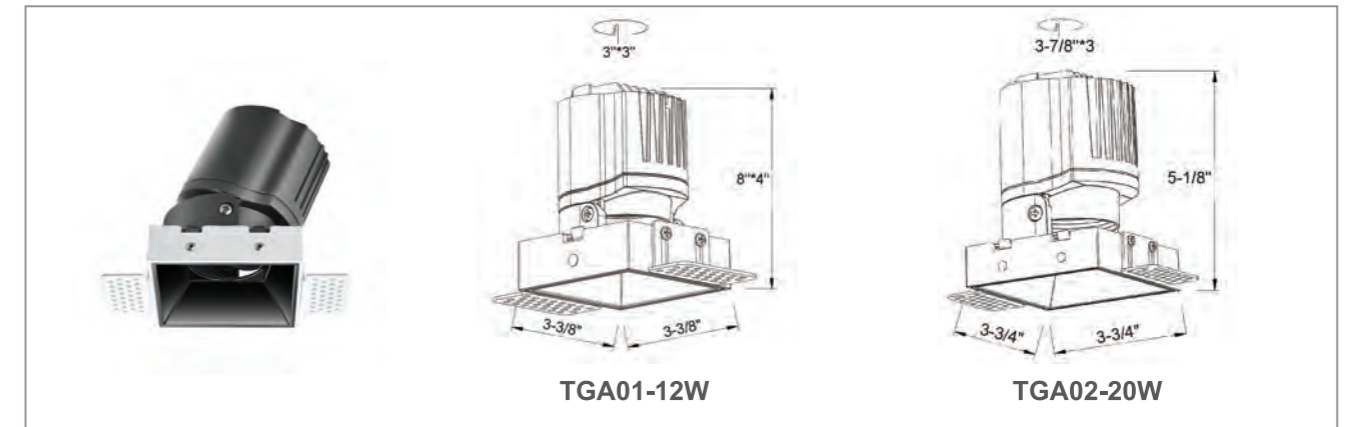


## Dark Technology Adjustable Downlights



## Dark Technology Adjustable Downlights



### Optical Accessories



Dark technology downlights are project-base series, available in following options:

- Available powers: 12W, 20W, 30W and 35W
- Lumen output: 80 to 90 lumen per Watt
- Available beam angles: 15°, 24°, 36° and 60°
- LED modules: Citizen, Osram, Philips, Luminus
- Phase-cut and 0-10V dimmable drivers are available, Input voltage 100-277 VAC/50-60Hz
- Color temperature: 2700K, 3000K, 4000K, 5000K, 6000K or customized CCT
- CRI >90 or CRI >95
- UGR <13
- Trimless and with trim finishing in round and square shapes are available
- Body color: White and Black
- Reflector colors: Black, Silver and Gold
- 5 years warranty