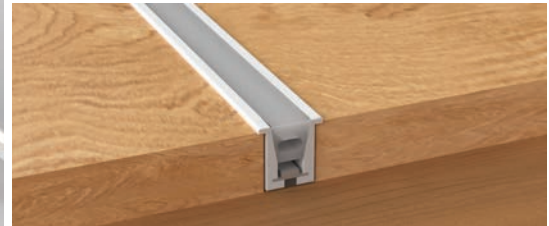
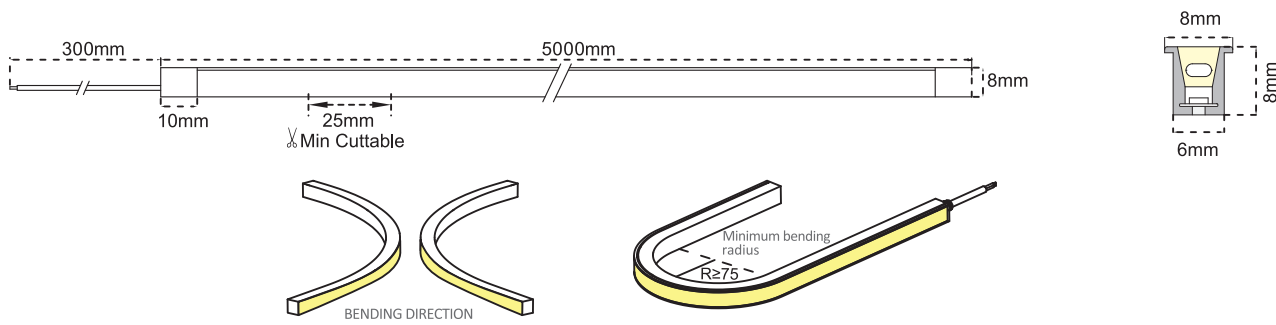


Low Voltage Neon Strip Lights

608A-Top Bend



Product Code	IN Voltage	Power	Lumen	Color Temp	Reel
CL-ST-NEON0608A-UD-4-3K	24VDC	4W/m	80lm/W	3000K	5m/Roll
CL-ST-NEON0608A-UD-4-4K				4000K	5m/Roll
CL-ST10-NEON0608A-UD-4-3K	24VDC	4W/m	80lm/W	3000K	10m/Roll
CL-ST10-NEON0608A-UD-4-4K				4000K	10m/Roll



Accessories

- | | |
|---|--|
| <p>CL-ACC-NEON0608-ECH
End cap with hole</p> <p>CL-ACC-NEON0608-ALU-1M
Mounting Aluminum Profile-Silver</p> | <p>CL-ACC-NEON0608-EC
End cap without hole</p> <p>CL-ACC-NEON0608-Clips
Installation Clips</p> |
|---|--|

- Maximum 10 meters of neon strips can be connected in series mode to one power supply.
- cUL approved