



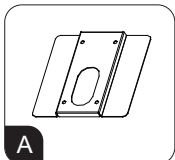
Risk of fire and electricity The installation must be done by electricians or professionals Turn off the power supply before operation.

Surface Mounting

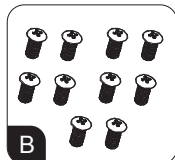
➤ Safety Instructions

1. Read this instruction carefully before installation.
2. Installation should be in accordance with national and local electrical laws and regulations.
3. Product should be installed by a qualified and licensed electrician.
4. Do not install in humid places, for dry and non-humid environments only.
5. Always turn off the power supply before installation or maintenance.
6. To reduce the risk of fire and overheating, make sure all connections are tight.
7. Fixtures should not be covered with thermal insulation pads or similar materials at any circumstance.
8. Do Not use outdoors.

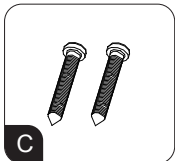
➤ Parts List:



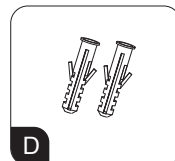
A Decorative Plate



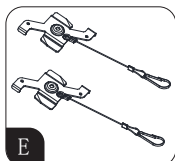
B Short Screws



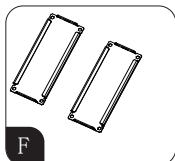
C Long Screws



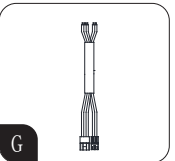
D Anchors



E Swivel Bracket



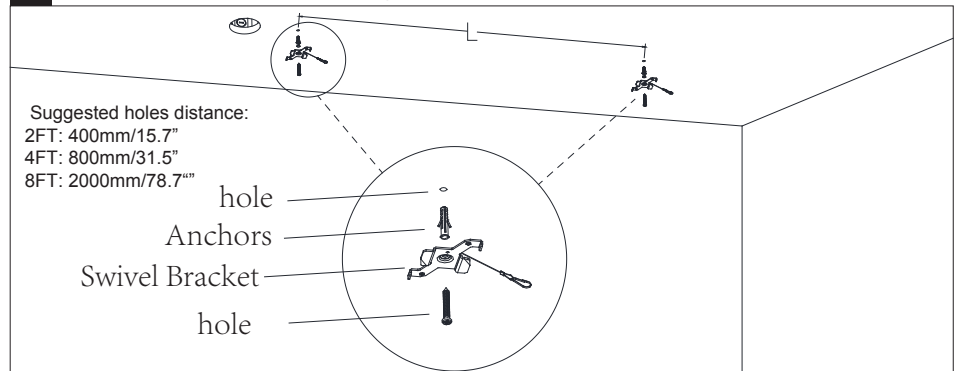
F Ceiling Mounting Brackets



G Input adapter

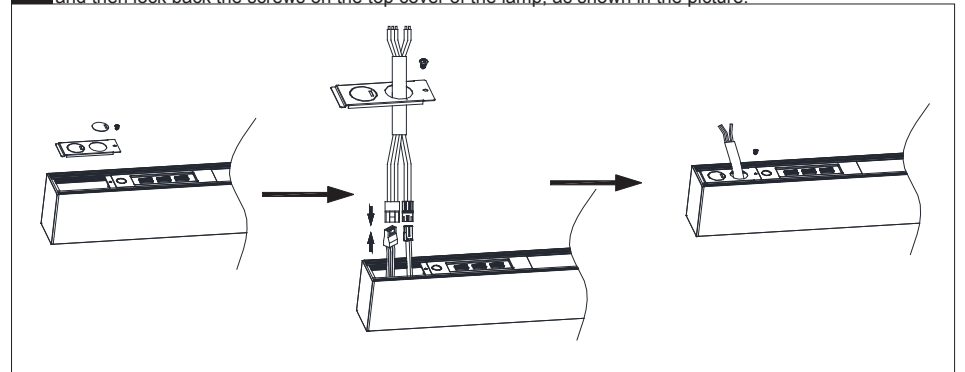
Mounting Steps

- 1 Attach the "Swivel Bracket" to the ceiling at the reference distance shown in the illustration as follows:

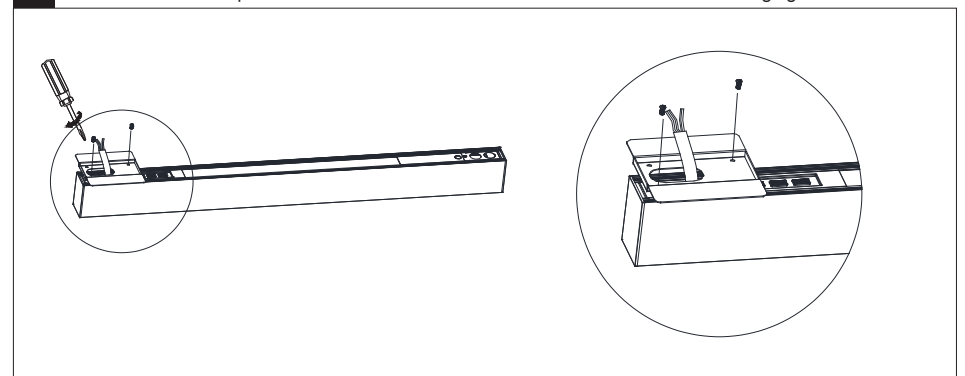


Remove the screws on the top cover of the lamp, remove one of the holes on the top cover of the lamp,

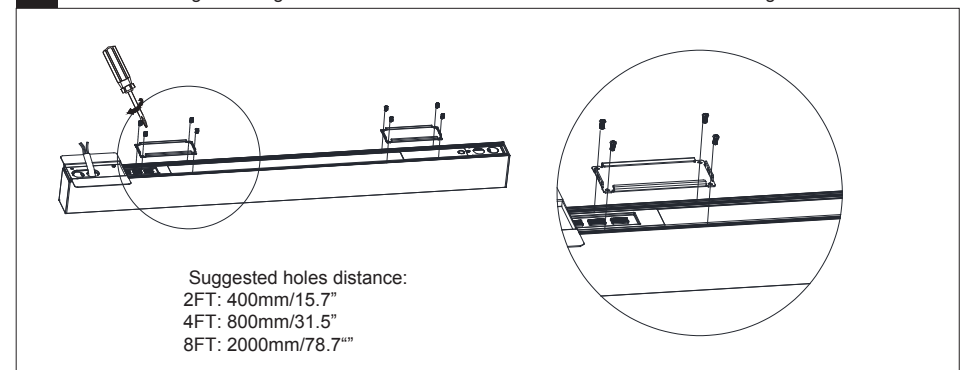
- 2 connect the "input adapter" with the input line and dimming line in the lamp according to the needs, and then lock back the screws on the top cover of the lamp, as shown in the picture:



- 3 Attach the decorative plate to the luminaire with short screws as shown in the following figure:



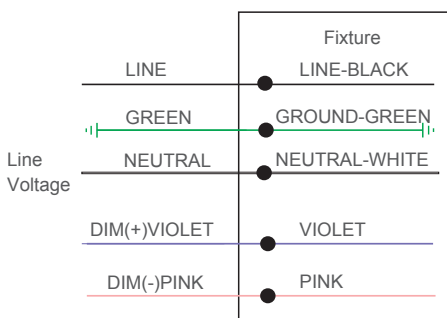
- 4 Attach the ceiling mounting bracket to the luminaire with the screws as shown in the figure below:





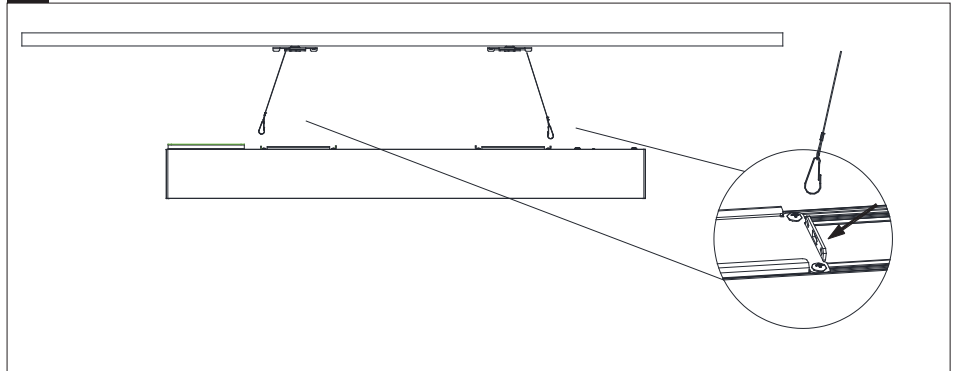
Risk of fire and electricity The installation must be done by electricians or professionals Turn off the power supply before operation.

Wiring Diagram

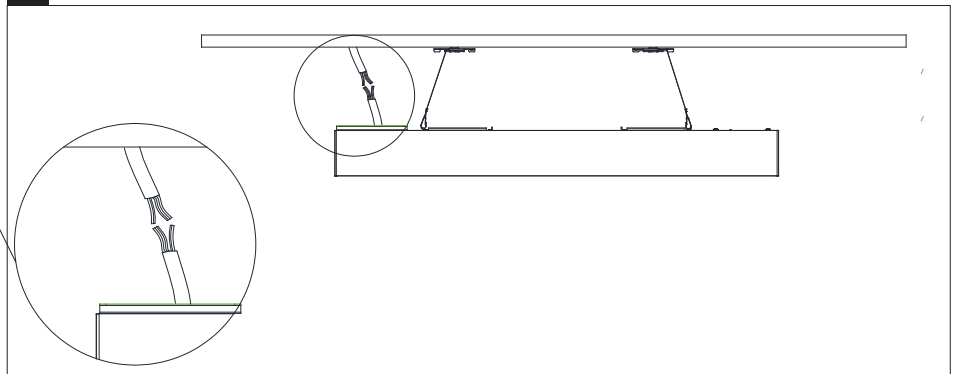


1. If dimming is not used, please separate the dimming wires with nuts.
2. Wiring must follow up the wiring diagram.
3. Remind again: Cut off the power supply before operation.

5 Fasten the safety rope to the luminaire as shown in the figure below.

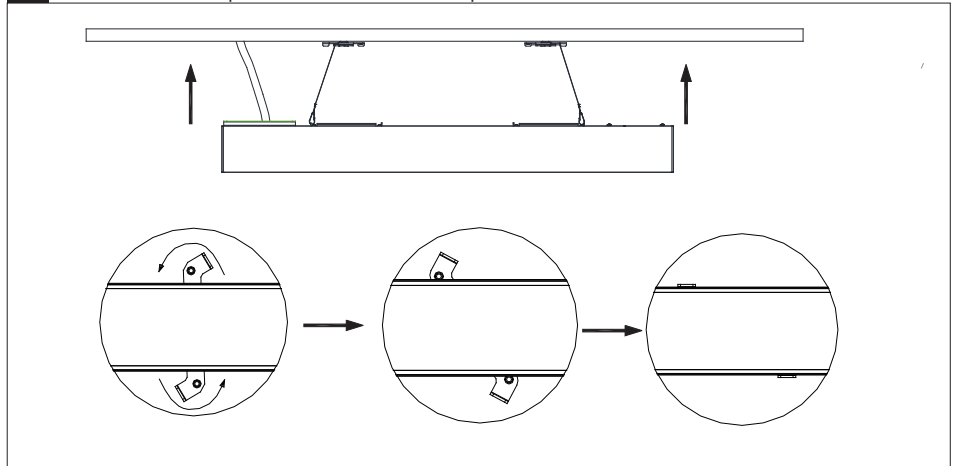


6 Connect the wires according to the wiring guide diagram as required.



Lift the light upward so that the "swivel bracket" and the "ceiling mounting bracket" contact, and then trigger the "swivel bracket" until it snaps together with the "ceiling mounting bracket", the installation is complete. "The installation is completed."

7 the installation is complete. "The installation is completed."



8 Installation is complete

