

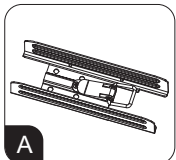


Risk of fire and electricity. The installation must be done by electricians or professionals. Turn off the power supply before operation.

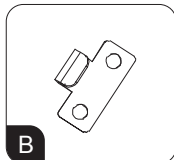
Notice

1. Read this instruction carefully before installation.
2. Installation should be in accordance with national and local electrical laws and regulations.
3. Product should installed by qualified and licensed electrician
4. Do not install in humid places, for dry and non-humid environments only.
5. Always turn off the power supply before installation or maintenance.
6. To reduce the risk of fire and overheating, make sure all connections are tight.
7. Fixtures should not covered with thermal insulation pads or similar materials at any circumstance.
8. Do Not use out doors.

Parts List



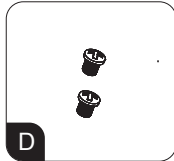
A Splicing Bracket A



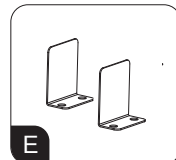
B Splicing Bracket B



C Big Screw



D Screw



E Baffle

Mounting Steps

Cautions before Installation

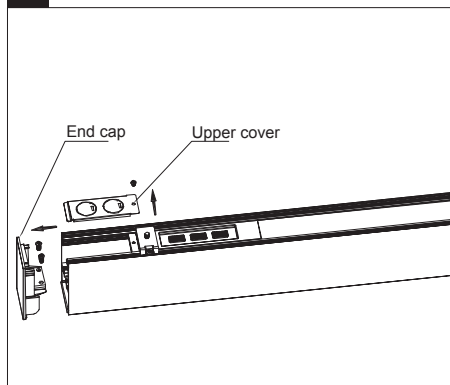
The wires at both ends of the lamp are connected, if one end of the wire is exposed, there is a risk of electric shock.

1. Open the top cover and check if the wires at both ends are securely connected to the terminals. Do not use if the wires are exposed.
2. Please turn off the power before testing the operation of the lighting fixtures, and do not touch any part of the fixtures to avoid the risk of electric shock.

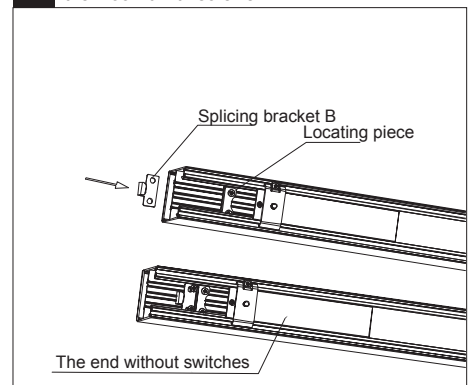
Wiring Direction Indication:

When connecting to the mains power, please connect it from one end of the control board.

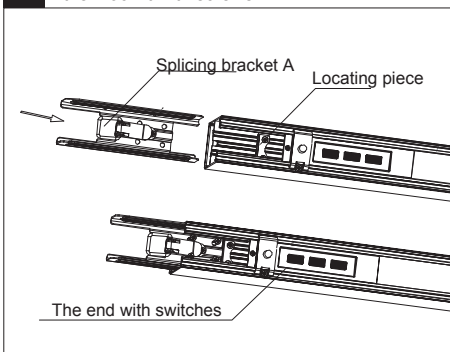
1 Remove the end cap and upper cover from fixture



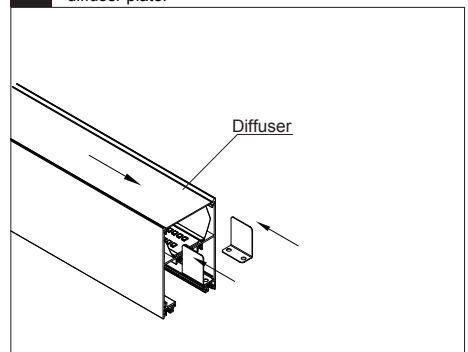
2 Slide the splicing bracket B into locating piece, then lock it with screws.



3 Slide the splicing bracket A into locating piece of the other fixture, then lock it with screws

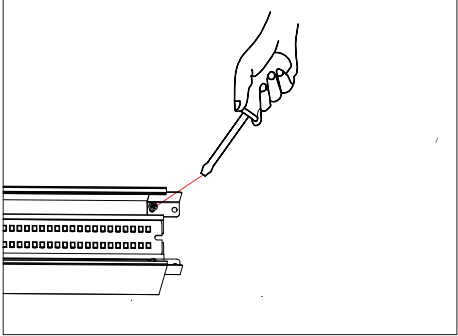


4 Fit the baffle to the profile and remove diffuser plate.

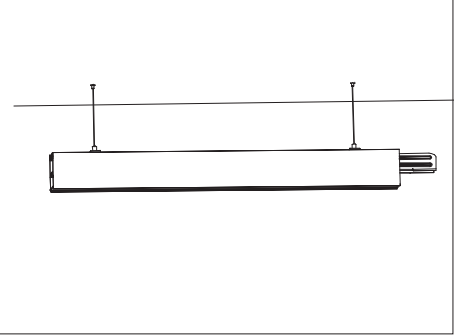


! Risk of fire and electricity. The installation must be done by electricians or professionals. Turn off the power supply before operation.

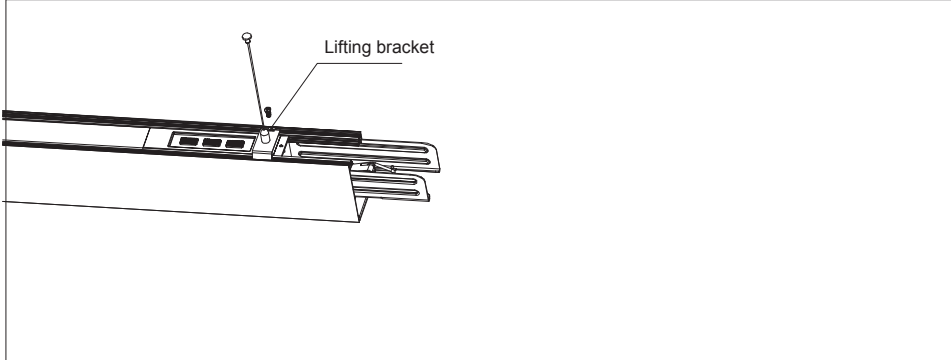
5 Tighten the screws on the baffle and install the lens.



6 Suspend the fixture to the ceiling, please refer to the pendant mounting instructions for this part.



7 Adjust the lifting bracket in the fixture to a suitable position for suspending and linking



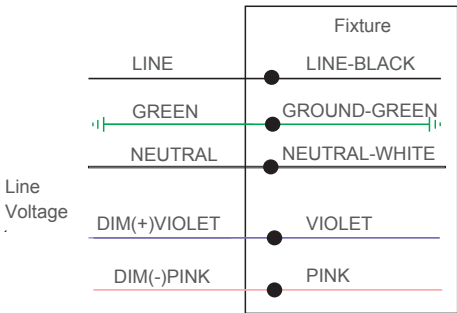
8 Plug two fixtures as shown in the figure, insert the splicing bracket A to the splicing bracket B, then pull the lock buckle to splice two fixtures.

Under 120V line voltage, connect up to maximum of 32FT.
If the linking length is over 24FT, please use the roll-out lens for seamless connection

Under 277V line voltage, connect up to maximum of 80FT.
If the linking length is over 24FT, please use the roll-out lens for seamless connection

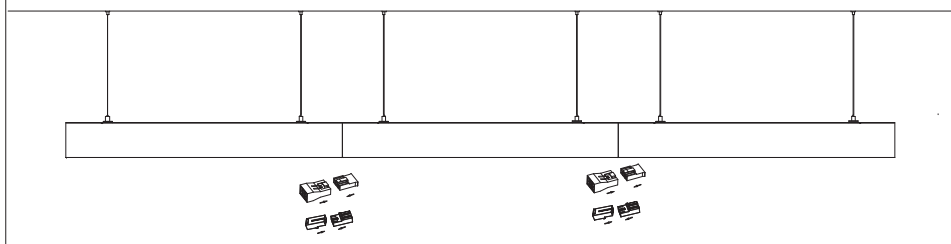
Under 347V line voltage, connect up to maximum of 100FT.
If the linking length is over 24FT, please use the roll-out lens for seamless connection

Wiring Diagram



1. If dimming is not used, please separate the dimming wires with nuts.
2. Wiring must follow up the wiring diagram.
3. Remind again: Cut off the power supply before operation.

9
9.1 Make electrical connection with male-female connectors



9.2 Cut off the connectors in one end for wiring to line voltage

Three-position quick connectors : BLACK (LINE)
WHITE (NEUTRAL)
GREEN (GRD)

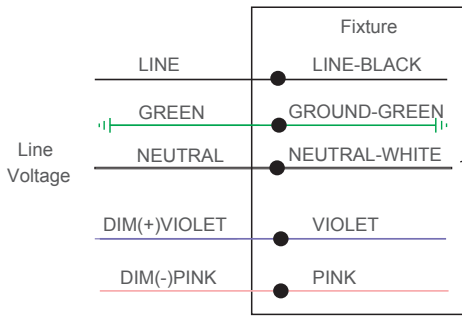
Two-position quick connectors : PURPLE (DIM +)
PINK (DIM -)

1. After cutting off the connecting terminals, the lighting fixture will no longer be able to link with other fixtures through terminals.
2. After cutting the wires, please ensure proper protection and labeling, and avoid using them for secondary wiring.

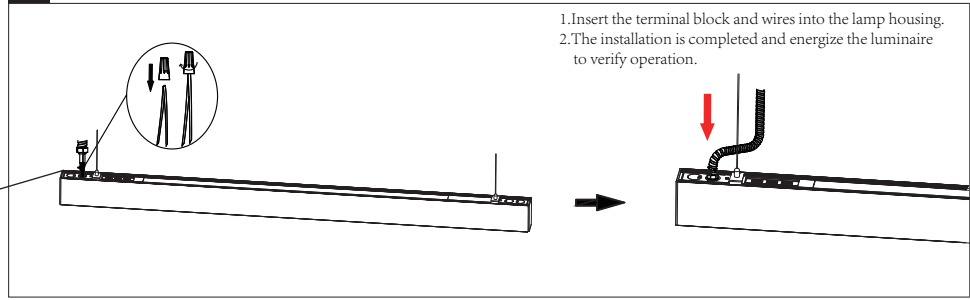


Risk of fire and electricity. The installation must be done by electricians or professionals. Turn off the power supply before operation.

Wiring Diagram

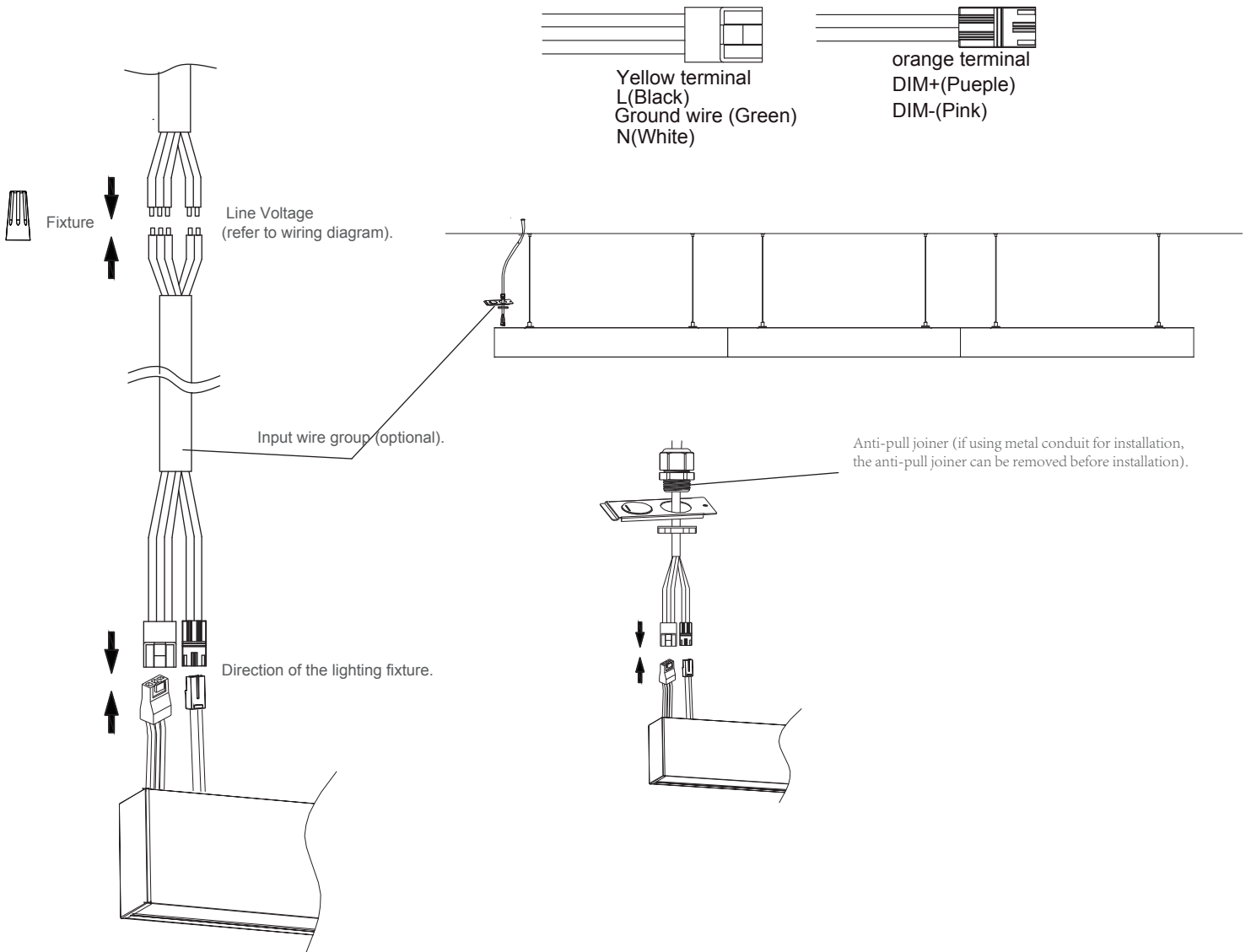


8 Turn off the power and wiring by using wire nut,



1. If dimming is not used, please separate the dimming wires with nuts.
2. Wiring must follow up the wiring diagram.
3. Remind again: Cut off the power supply before operation.

Wiring Diagram



Three terminals: neutral wire, live wire, ground wire
Two terminals: DIM+ (purple), DIM- (pink)