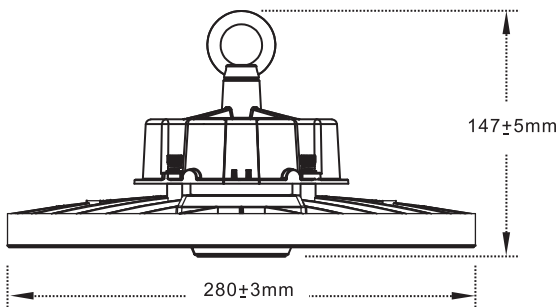


Industrial UFO High Bay Lights

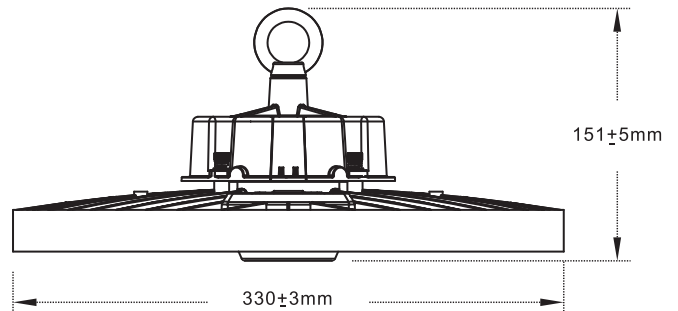


DLC Premium Listed

Product Code	Input Voltage	Power	Lumen	Color Temp
CL-IND-UFO1-150W-3CCT-BL	120-347VAC 50/60Hz	Adjustable 100W/120W/150W	138lm/W (3500K) 158lm/W (4000K) 151lm/W (5000K)	3CCT Adjustable 3500K 4000K 5000K
CL-IND-UFO1-240W-3CCT-BL	120-347VAC 50/60Hz	Adjustable 160W/200W/240W	140lm/W (3500K) 160lm/W (4000K) 146lm/W (5000K)	3CCT Adjustable 3500K 4000K 5000K



CL-IND-UFO1-150W-3CCT-BL



CL-IND-UFO1-240W-3CCT-BL

- 6ft power and dimming cords included.
- Hook and sensor base included.
- Aluminum die-cast body with PC lens
- Beam angle 90°
- IP65
- 0-10V Dimming
- CRI>80
- PF>0.90
- DLC premium
- cUL certificate
- 5-Year Warranty