

# LED IN-GROUND LIGHT

## User Manual



### 01 / WARNING

PLEASE READ AND UNDERSTAND THE ENTIRE MANUAL BEFORE OPERATING OR INSTALLING THIS PRODUCT.

- ONLY use this fixture on 12-24V AC/DC circuits.
- The maximum load (combined total wattage of all fixtures) should NOT exceed 80% of the total power rating of the transformer.
- The wire is intended for shallow burial (less than 6 inches deep).
- Install ALL fixtures at least 10ft away from pools, spas, or fountains.
- Keep the fixtures away from flammable or combustible materials.
- DO NOT touch the lens, guard, or fixture housing while in use.
- DO NOT operate or install a fixture with missing or damaged parts.
- DO NOT submerge this fixture in water as this may damage it.
- Vertically mount the transformer at least 12 inches above the ground.
- Keep this fixture out of the reach of children under 3 years old.
- DO NOT connect this fixture to electrical systems that DO NOT have grounding.

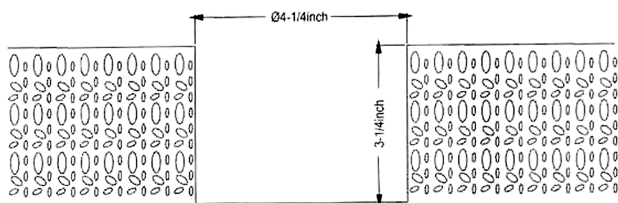
### 02 / PACKAGE CONTENT

- 6W in-ground well lights with shields \* 1
- Waterproof wire nuts \* 2
- Embedded parts \* 1

### 03 / INSTALLATION

1. Dig a 4-1/4inch wide and 3-1/4inch deep hole. (Fig. 1)

Fig. 1



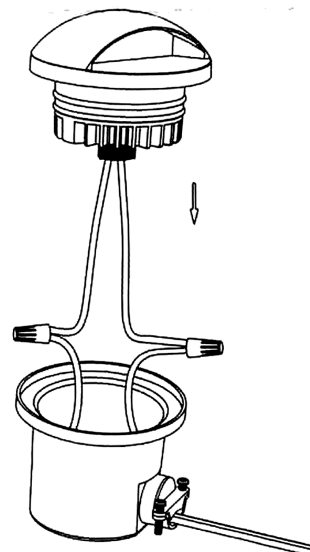
2. Pull the fixture out from the embedded part. Remove the waterproof wire nuts from the embedded part. Then remove enough knockouts to accommodate wires.

3. TURN OFF THE POWER. Pass the power supply through the embedded part. Then, place the embedded part in the hole. Use concrete to fill the gap between the embedded part and the hole.

4. Use waterproof wire nuts to connect the lamp wires with the power supply.

5. Put the fixture into the embedded part. Then turn the power back on. (Fig. 2)

Fig.2



### 04 / SPECIFICATIONS

PRODUCT NAME	LED IN-GROUND LIGHT
MODEL NO	CL-IG066-624-3K-BL-5
INPUT VOLTAGE	12-24V AC/DC
POWER	6W
LUMEN	220 LM
COLOR TEMP	3000K
CRI	> 90
IP	66
BEAM ANGLE	120°
BODY COLOR	BLACK
BODY MATERIAL	ALUMINUM
LENS MATERIAL	PC
WORKING TEMP	-40°C~40°C
LIFE TIME	>50,000 hrs
WARRANTY	5 YEARS