

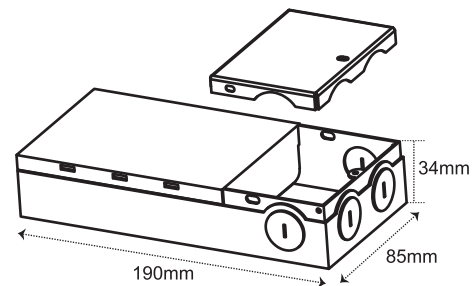
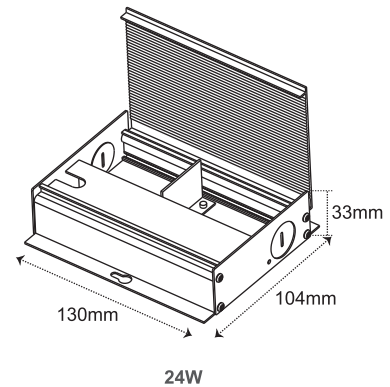
# Constant Voltage Economy LED Drivers



Product Code	IN Voltage	Power	OUT Voltage
CL-EDR-CV-24W-24V-DIM	120VAC 60Hz	24W	24VDC
CL-EDR-CV-60W-24V-DIM	120VAC 60Hz	60W	24VDC
CL-EDR-CV-96W-24V-DIM	120VAC 60Hz	96W	24VDC
CL-EDR-CV-60W-12V-DIM	120VAC 60Hz	60W	12VDC
CL-EDR-CV-96W-12V-DIM	120VAC 60Hz	96W	12VDC

\*CL-EDR-CV-96W-12V-DIM is not Class 2

Compatible Triac Dimmers				
Brand	Series	Model	Wattage Range	Dimming Range
LUTRON	Diva	DVCL-153P	24W-150W	0%-100%
	Skylark	SCL-153P	24W-150W	0%-100%
	Maestro	MACL-153M	24W-150W	0%-100%
	Ariadni	AYCL-153P	24W-150W	0%-100%
	Caseta	PD-6WCL	24W-150W	0%-100%
LEVITON	Decora	6674-P	24W-150W	0%-100%
	SureSlide	6672	24W-150W	0%-100%
	IllumaTech	IPL06	24W-150W	0%-100%
	Decora Smart	DW6HD-1BZ	24W-150W	0%-100%
	Trimatron	6683-I	24W-150W	0%-100%
LEGRAND	Radiant	RHCL453PTCCCV6	24W-150W	0%-100%
	Adorne	ADTP703TU	24W-150W	0%-100%
	Pass & Seymour	LSCL453PTC	24W-150W	0%-100%
	Harmony	H703PTUTC	24W-150W	0%-100%
	Pass & Seymour	HCL453PTCCCV6	24W-150W	0%-100%
COOPER	AL Series	AL dimmer	24W-150W	0%-100%
	Devine	DAL06P-C1	24W-150W	0%-100%
	Aspire	9540-N	24W-150W	0%-100%
	Decorator	DAL06P-C2-K	24W-150W	0%-100%
	Halo	RL06P-C1-K	24W-150W	0%-100%



- o Do not load more than 80% of driver capacity
- 24W and 60W drivers are suitable for dry locations
- 96W drivers are suitable for damp locations
- cETL approved