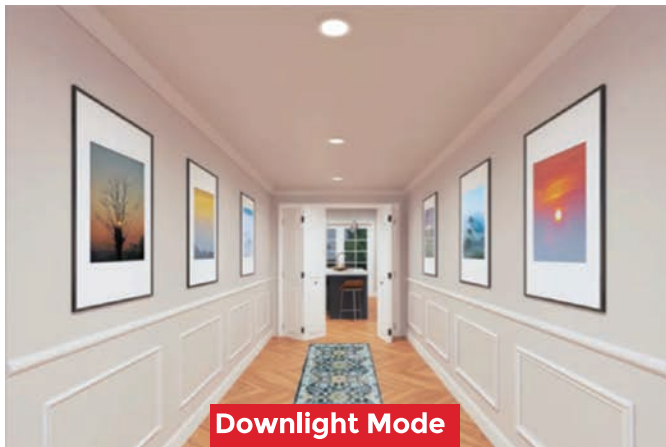
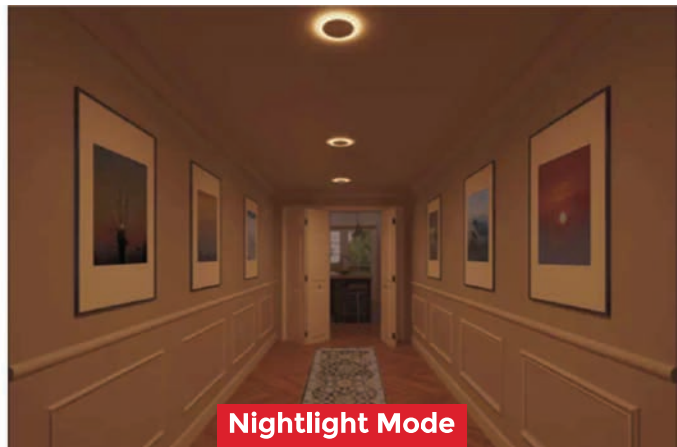


# Recessed LED Slim Panels With Night Light



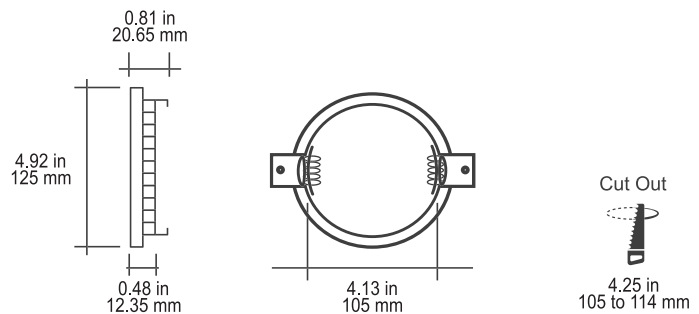
**Downlight Mode**



**Nightlight Mode**

Product Code	Input Voltage	Power	Lumen	Beam Angle	CCT	Body Color	Size
CL-DSNL-49-5CCT-WH	90-130VAC	9+2 W	800 lm	120°	5CCT Adjustable	White	4 inch
CL-DSNL-49-5CCT-BL	90-130VAC	9+2 W	800 lm	120°	2700K, 3000K, 3500K 4000K, 5000K	Black	4 inch

- Dual-mode downlight with 2200K night light
- Switch mode within 3 seconds
- Isolated driver, prevents electric shock
- Safe to be in direct contact with insulation
- FT4 wire, Airtight
- No flicker
- cETL approved



AC  
110V  
50/60Hz

IC  
RATED

TRIAC  
DIMMABLE

DAMP  
LOCATION

PF  
≥0.9

CRI  
>85

WARRANTY  
5  
YEARS

Lifetime  
>50,000 hrs

Working Temperature

Subject to proper dimmer