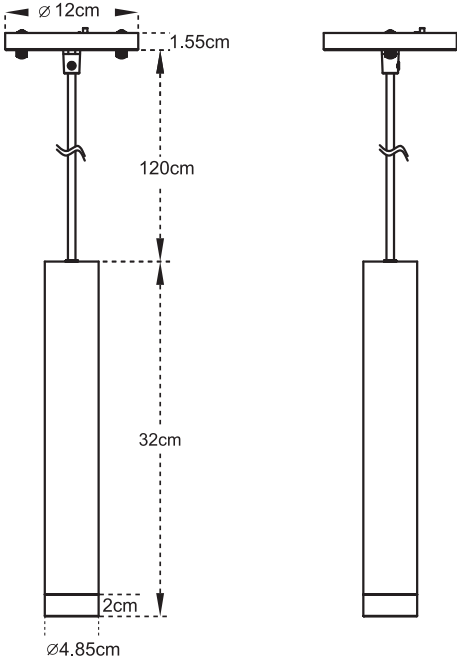


Pendant LED Downlights



Product Code	Input Voltage	Power	Lumen	Color Temp	Beam Angle
CL-DL2-PR1-1032-3K	AC 120V	10W	1000lm	3000K	36°
CL-DL2-PR1-1032-4K	AC 120V	10W	1000lm	4000K	36°



Available in White and Black body color

- Input Voltage: 120VAC 50/60Hz
- cETL approved