

# Door & Hand Sweep Sensor

CL-AST-SENS-HS Hand Sweep

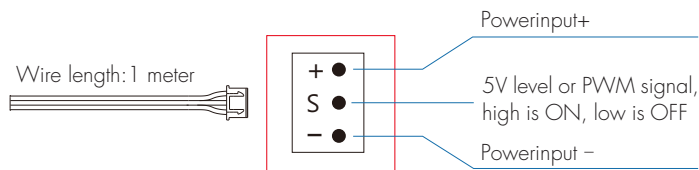
CL-AST-SENS-DS Door Control Infrared wireless Sensing Head

Model	Product name	Product picture	Size	Sensor data
CL-AST-SENS-HS	Infrared wireless hand sweep sensing head			Sensitive field: $\leq 10\text{cm}$ Sensitive angle: 15-30
CL-AST-SENS-DS	Infrared wireless door sensing head			

## Features

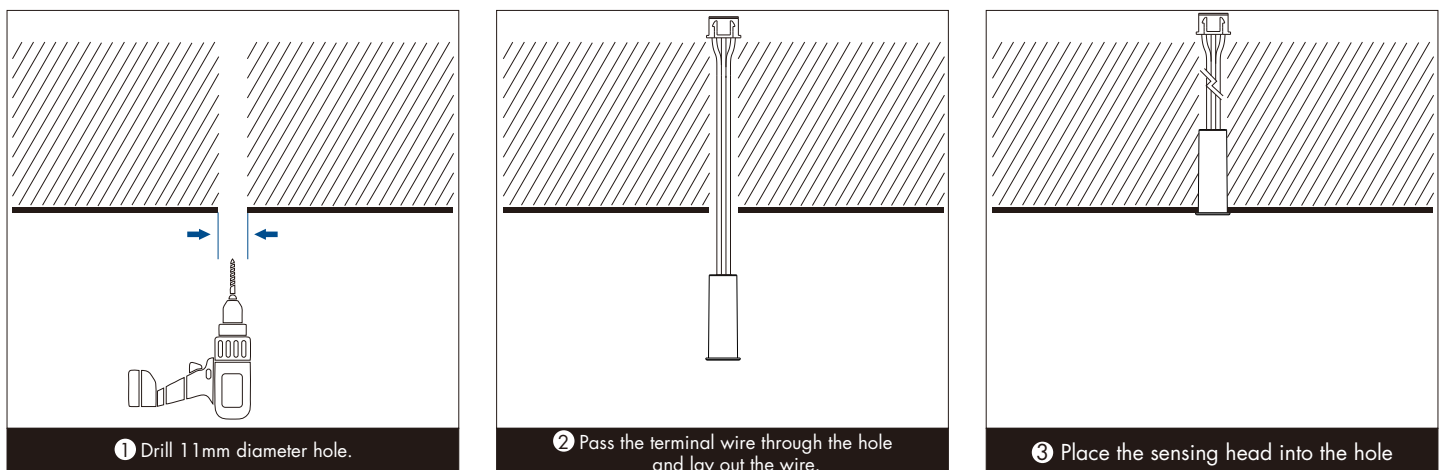
- Powered by low voltage 5VDC, output 5V level or PWM signal.
- Can be used with constant voltage LED dimming power supply.
- Apply to cabinet, closet, wine cabinet and other lighting.
- Output PWM frequency: 2000Hz.

## Sensor Wire Define

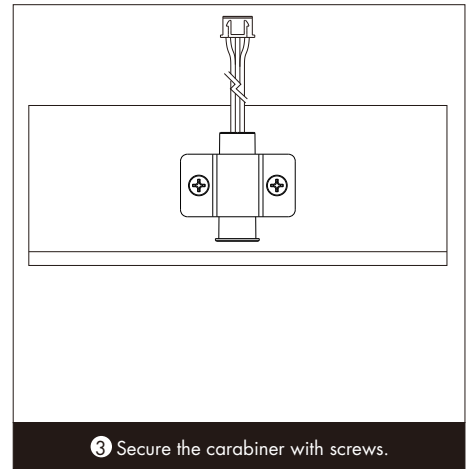
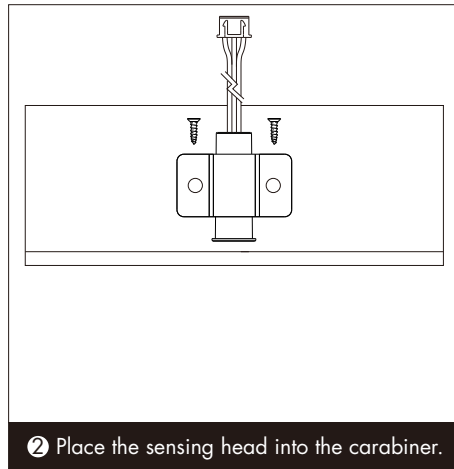
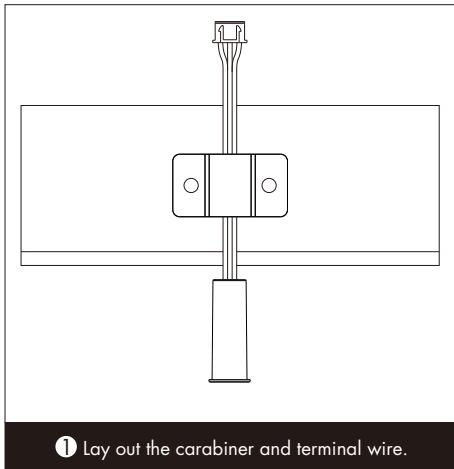


## Sensing Head Installation

- Concealed installation:



• Surface mounting method:



## Sensing Head Application

### CL-AST-SENS-HS

#### Infrared wireless hand sweep sensing head

Make pendulum action at the front end of the sensing head: when hand sweep, the light turn on gradually; when hand sweep again, the light turn off gradually.

Hold your hand in front of the sensing head for more than 2 seconds: The brightness increases or decreases continuously, the each time the hand is removed and then held again, the brightness changes in the opposite direction.

### CL-AST-SENS-DS

#### Infrared wireless door sensing head

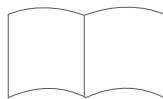
Use the door as a reflection object. It is installed at the outer edge of the cabinet door, about 1 cm away from the outer edge.

When the door open, or no obstacle in front of the sensing head, the light turn on gradually; When the door close, or obstacle in front of the sensing head, the light turn off gradually.

## Packing List



Induction sensor head  
1 pcs



User manual  
1 pcs



Carabiner  
1 pcs



Screw  
2 pcs